

**DESCRIPTION** auto-klean® 04AA and 04AB self-cleaning filters operate on the edge-filtration principle and are of all-metal plate-type construction. They are cleaned without interrupting the flow of liquid by one complete turn of the handle attached to the element spindle. This action deposits all the solids accumulated around the element into the filter sump. A magnetic element can be fitted in the sump drain plug to give additional protection against micronic ferrous particles. The large capacity sump on 04AB filters makes them particularly suitable for heavily contaminated liquids. Tapped holes for mounting screws are provided on opposite sides of the cover to facilitate installation.

**APPLICATIONS** All grades of oils and distillates, water, chemicals, beverages, food products, paints, resins, grease and industrial liquids of every kind.

**ELEMENTS**

Diameter	25.4mm (1")		
Length	19.2mm (¾") nett.		
Mesh	.076mm (.003")	.127mm (.005")	.203mm (.008")
	.254mm (.010")	.508mm (0.20")	

**CONNECTIONS** ⅜" B.S.P. Parallel Male Thread

**PRESSURE**

Maximum Working	1.03 bar (15lb/in <sup>2</sup> )
Test	3.45 bar (50lb/in <sup>2</sup> )

Filters suitable for operation at higher pressures are available if required

**MATERIALS**

Standard	Cover & Sump Internals	Brass
		Non-Ferrous, Stainless Steel Filling

**SUMP CAPACITY**

04AA:	42.6cm <sup>3</sup> (2.6in <sup>3</sup> )	04AB:	101.6cm <sup>3</sup> (6.2in <sup>3</sup> )
-------	---	-------	--

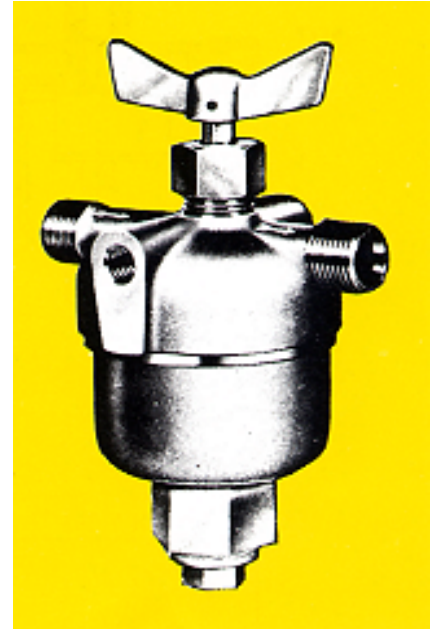
**WEIGHT**

04AA:	0.9kg (2lb)	04AB:	1.2 Kg (2¾lb)
-------	-------------	-------	---------------

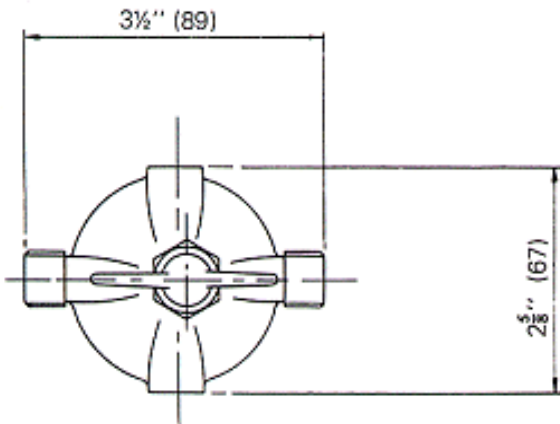
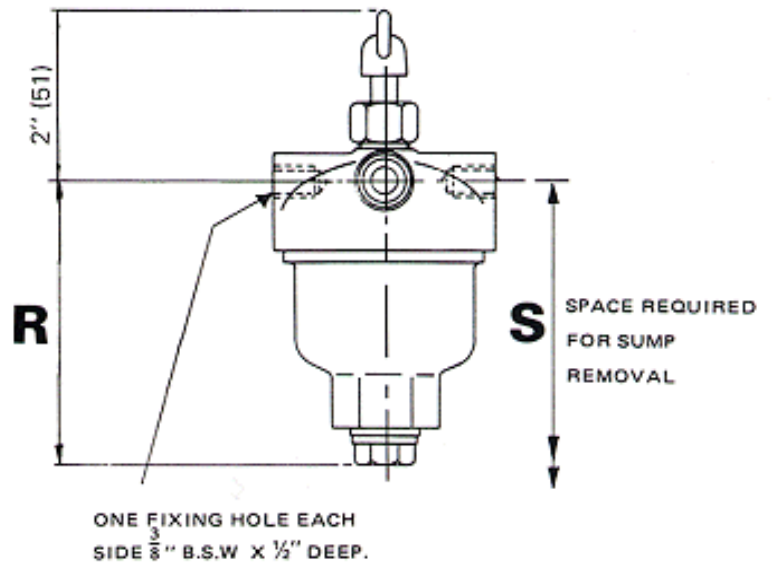
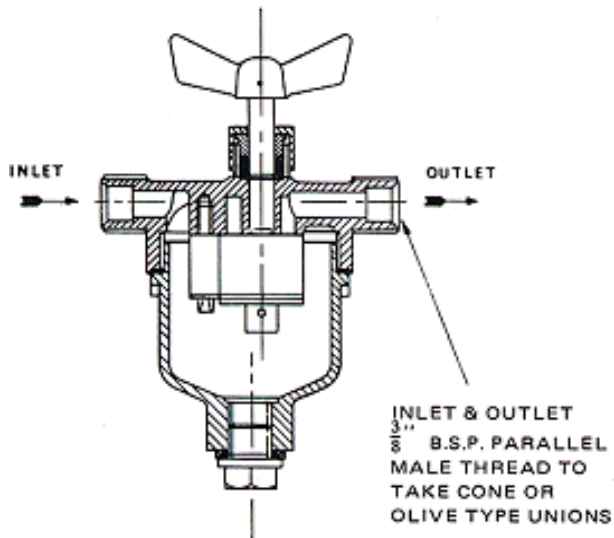
**DIMENSIONS** See table on page 2

**FLOW RATES** The flow rates listed below cover only a limited range of applications. Capacities for other liquids and filter meshes will be quoted on request. For discharge filters the capacities are based on a pressure drop of .1 to .15 Kg/cm<sup>2</sup> (1.5 to 2 lb/in<sup>2</sup>) across a clean element.

Maximum flow rate for any condition - **273 litres (60 gallons)** per hour.



Service	Auto-Klean Mesh		Equivalent Gauze Mesh	Free Area		Capacity		Viscosity	
	mm	in		cm <sup>2</sup>	in <sup>2</sup>	Gallons Per Hour	Litres Per Hour	Seconds Redwood No.1	Engler Degrees
Engine Lubricating Oil Discharge	.076	.003	150 x 150	2.7	0.42	15	68.2	250	8.1°
	.127	.005	100 x 100	3.9	0.6	30	136.4	250	8.1°
Machine Tool Lub. Oil Discharge	.076	.003	150 x 150	2.7	0.42	10	45.5	500	16.2°
	.127	.005	100 x 100	3.9	0.6	20	91.0	500	16.2°
Petrol Gravity feed 1ft. head	.076	.003	150 x 150	2.7	0.42	10	45.5		
Pump Discharge	.127	.003	100 x 100	2.7	0.42	20	91.0		
Gas Oil Gravity feed 1ft. head	.076	.003	150 x 150	2.7	0.42	10	45.5	30	1.1°
Diesel Fuel Gravity feed 1ft. head	.076	.003	150 x 150	2.7	0.42	7	31.8	35 to 60	1.3° to 2.1°
Water and Aqueous Solutions	.076	.003	150 x 150	2.7	0.42	50	227.3		



TYPE	04AA	04AB
R	3 1/4" (83)	4 3/8" (111)
S	4 3/8" (111)	5 1/2" (140)

mm. DIMENSIONS IN BRACKETS

## TYPES 04AA 04AB

# auto-klean® filtration limited

Engineers in Filtration

Unit 11a, Ascot Industrial Estate,  
Lenton Street,  
Sandiacre,  
Notts. NG10 5DJ, U.K.

Tel. 0870 421 4206  
Fax. 0870 421 4207

[www.auto-kleanfiltration.co.uk](http://www.auto-kleanfiltration.co.uk)  
E-Mail: [sales@hse-ltd.com](mailto:sales@hse-ltd.com)

Auto-Klean is a registered Trade Mark