



TYPES E07001 E07002

DESCRIPTION **auto-klean® klariflo®** filters E07001 and E07002 give clarification to micronic limits. The elements are retained in position within the filter by means of a single nut thus facilitating quick and easy removal. This method of construction allows the unit to be dismantled with the minimum of labour when thorough cleaning and element replacement are required. The top cover containing the inlet and outlet ports has four bosses, drilled and tapped, enabling the filter to be mounted according to the handling required. Both top and bottom joints are groove retained and are available in various materials.

The specification to which **auto-klean® klariflo®** filters are manufactured depends upon the application. These filters are therefore suitable for the clarification of a wide range of liquids and gases with varying conditions of temperature and pressure.

APPLICATIONS Chemicals generally, water applications including photographic use, bright quenching and cutting fluids, compressed air, plating solutions, oils and distillates.

ELEMENTS

Diameter	63mm (2.5")
Length	254mm (10")
Density Grading	1,2,3,5,7,10,15,20,30,40,50,75,100 microns
Filter Media	Bleached Cotton, Polypropylene, Glass Fibre

CONNECTIONS ¾" B.S.P. Parallel Female

PRESSURE

Working	7 bar (100lb/in ²)
Test	14 bar (200lb/in ²)

TEMPERATURE Maximum 120°C (250°F)
Special designs available to order for higher temperatures.

MATERIALS

Standard	Body Tube	Mild Steel
	Covers	Cast Iron
	Body	Copper Tube
	Covers	Gun Metal

BODY CAPACITY E07001 - 1.0 litres (1.8 pints) E07002 - 2.0 litres (3.6 pints)

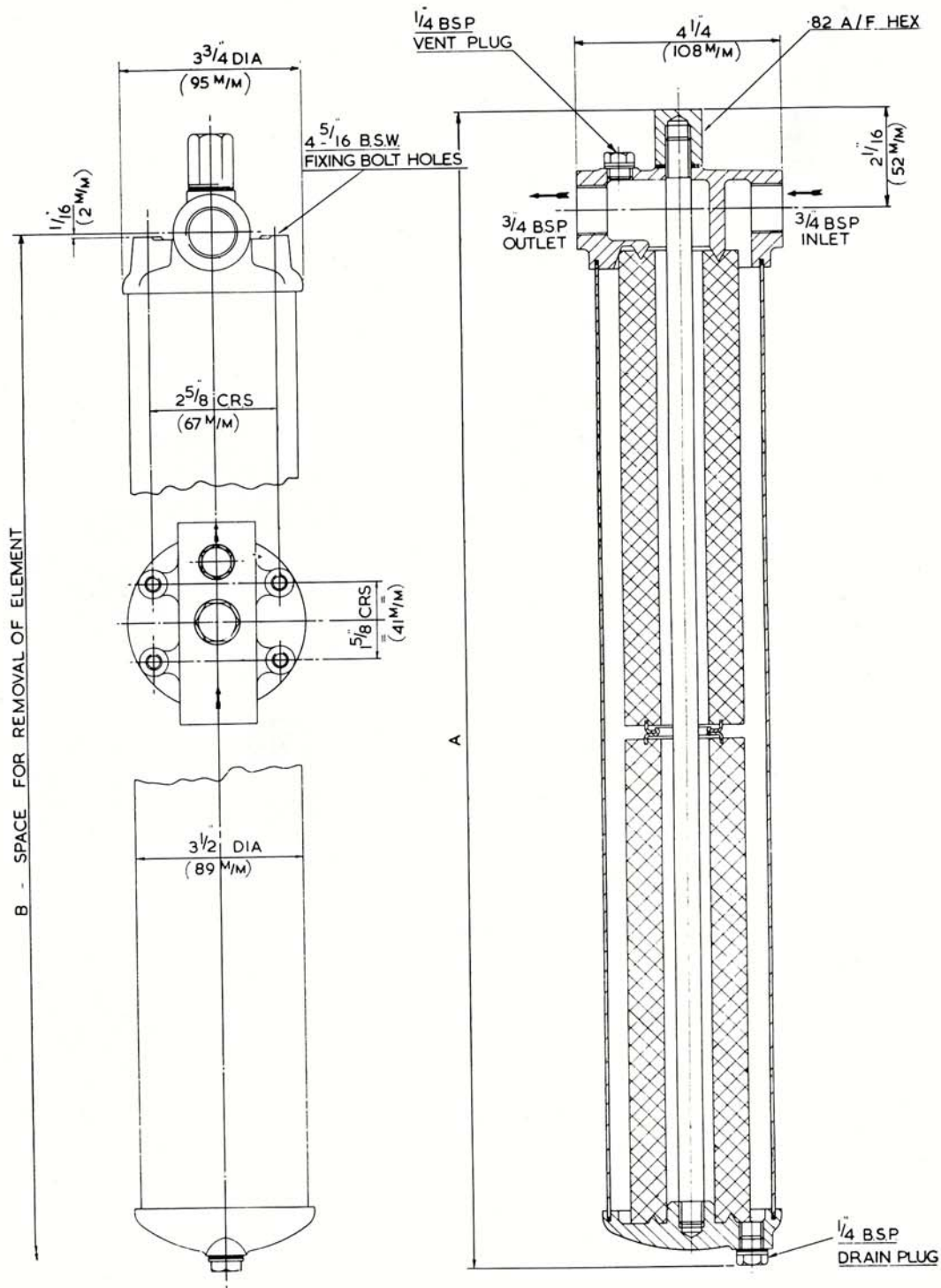
WEIGHT E07001 - 3.5Kg (7.5lbs) E07002P - 4.5Kg (10lbs)

DIMENSIONS See drawing and table on page 2



FLOW RATES The flow rates listed below are for a Cotton filtering medium and are based on an initial pressure drop of 0.2 bar (3lb/in²) across a clean element.

Service	Type	Viscosity		Capacity							
		Seconds Redwood No.1	Degrees Engler	Gallons Per Hour				Litres Per Hour			
				Density Grading - Microns							
				1	5	10	20	1	5	10	20
Water & Aqueous Solutions	E07001	-	-	37	170	300	300	170	775	1360	1360
	E07002	-	-	74	340	600	600	340	1550	2720	2720
Viscous Liquids	E07001	50	1.75°	7	70	200	300	32	320	910	1360
		100	3.3°	2.5	30	80	150	11	135	365	680
	250	8.1°	-	10	25	70	-	45	115	320	
	E07002	50	1.75°	14	140	400	600	64	640	1820	2720
		100	3.3°	5	60	160	300	22	270	730	1360
		250	8.1°	-	20	50	140	-	90	230	640



TYPES E07001, E07002

Type	Number of Elements	Dimensions			
		A		B	
		ins.	mm.	ins.	mm.
E07001	1	13 $\frac{3}{8}$	352	16	406
E07002	2	24	609	26 $\frac{1}{2}$	673

auto-klean[®] filtration limited

Engineers in Filtration

Unit 11a, Ascot Industrial Estate,
Lenton Street,
Sandiacre,
Notts. NG10 5DJ, U.K.

Tel. 0870 421 4206
Fax. 0870 421 4207

www.auto-kleanfiltration.co.uk
E-Mail: sales@hse-ltd.com

Auto-Klean is a registered Trade Mark