



**TYPES E30030 E30045**  
**E40075 E60108 E60162**

**DESCRIPTION** **auto-klean® klariflo®** filters E30030, E30045, E40075, E60162, constitute a range for large capacities having from thirty to a hundred and sixty-two elements, mounted in a single body. They give clarification to micronic limits, exceptional life and dirt holding capacity being achieved by true depth filtration. The provision of handles or eyebolts enables easy removal of the filter cover when thorough cleaning and element replacement are required. These multi-element filters are supplied with in-line pipe connections, legs drilled for floor mounting, pressure gauges, and provision can be made for visible or audible alarms by the incorporation of differential pressure switches.

The specification to which **auto-klean® klariflo®** filters are manufactured depends upon the application. These filters are therefore suitable for the clarification of a wide range of liquids and gases with varying conditions of temperature and pressure.

**APPLICATIONS** Chemicals generally, water applications including drinking and photographic use, beverage and food products, bright quenching and cutting fluids, compressed air, plating solutions, oils and distillates.

**ELEMENTS** Diameter 63mm (2.5")  
 Length 254mm (10")  
 Density Grading 1,2,3,5,7,10,15,20,30,40,50,75,100 microns  
 Filter Media Bleached Cotton, Polypropylene, Glass Fibre

**CONNECTIONS** 76.2mm (3"), 101.6mm (4") and 152.4mm (6") to B.S. Table E.

**PRESSURE** Working 7 bar (100lb/in<sup>2</sup>)  
 Test 14 bar (200lb/in<sup>2</sup>)

**TEMPERATURE** Maximum 149°C (300°F)  
 Special designs available to order for extreme temperatures.

**MATERIALS** Standard Body & Cover Fabricated Steel  
 Special Body & Cover Stainless Steel

**BODY CAPACITY** See table below.

**WEIGHT** See table on page 2.

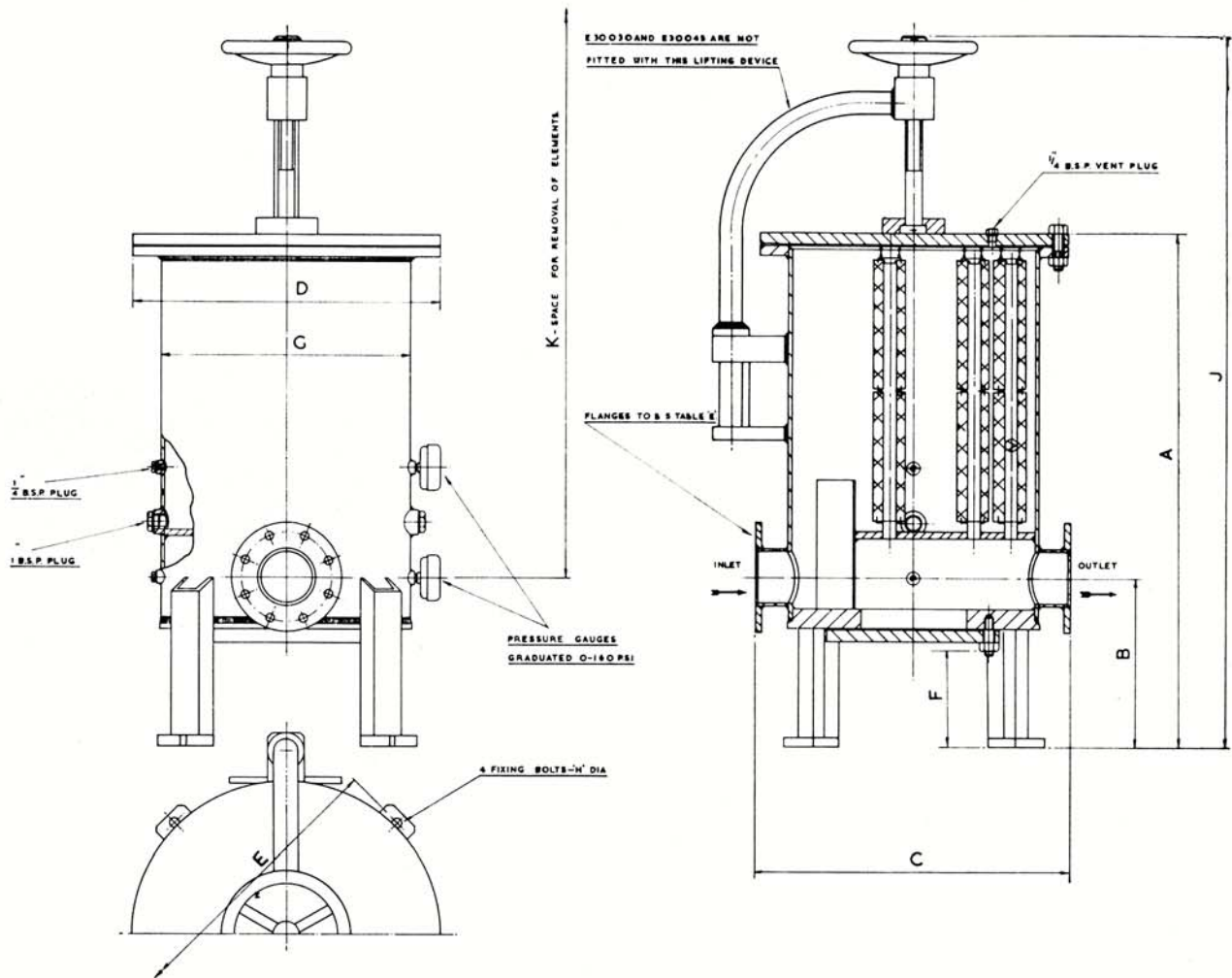
**DIMENSIONS** See drawing and table on page 2

**FLOW RATES** The flow rates listed below are for a Cotton filtering medium and are based on an initial pressure drop of 0.2 bar (3lb/in<sup>2</sup>) across a clean element.



Service	Type	Viscosity		Capacity							
		Seconds Redwood No. 1	Degrees Engler	Gallons Per Hour				Metres <sup>3</sup> Per Hour			
				Density Grading—Microns							
				1	5	10	20	1	5	10	20
Water and Aqueous Solutions	E30030	—	—	1100	5100	9000	9000	5.0	23.1	40.8	40.8
	E30045	—	—	1650	7650	13500	13500	7.5	34.7	61.3	61.3
	E40075	—	—	2750	12750	22500	22500	12.5	57.9	102.1	102.1
	E60108	—	—	3960	18360	32400	32400	18.0	83.3	147.0	147.0
	E60162	—	—	6000	27540	48600	48600	27.2	125.2	220.5	220.5
Viscous Liquids	E30030	50	1.75°	540	2340	4800	9000	2.5	10.6	21.8	40.8
		250	8.1°	105	480	900	1800	0.5	2.2	4.1	8.2
	E30045	50	1.75°	810	3510	7200	13500	3.7	15.9	32.7	61.3
		250	8.1°	157	720	1350	2700	0.7	3.3	6.1	12.3
	E40075	50	1.75°	1350	5850	12000	22500	6.1	26.5	54.4	102.1
		250	8.1°	262	1200	2250	4500	1.2	5.4	10.2	20.4
	E60108	50	1.75°	1944	8420	17280	32400	8.8	38.2	78.4	147.0
		250	8.1°	378	1728	3240	6480	1.7	7.8	14.7	29.4
	E60162	50	1.75°	2016	12630	25920	48600	13.2	57.3	117.6	220.5
		250	8.1°	537	2502	4860	9720	2.6	11.8	22.1	44.1

**auto-klean® filter anything that flows**



**TYPES E30030, E30045, E40075, E60108, E60162**

Type	Elements			Dimensions											Body Capacity	Weight
	Number	Positioned Up	Round	A	B	C	D	E	F	G	H	J	K			
<b>Inches</b>																
E30030	30	2	15	38 $\frac{1}{4}$	12	19 $\frac{1}{2}$	18 $\frac{3}{4}$	18 $\frac{3}{4}$	7 $\frac{1}{4}$	15	—	—	45 $\frac{3}{4}$	13	224	
E30045	45	3	15	48 $\frac{1}{2}$	12	19 $\frac{1}{2}$	18 $\frac{3}{4}$	18 $\frac{3}{4}$	7 $\frac{1}{2}$	15	—	—	66	17	242	
E40075	75	3	25	49 $\frac{1}{2}$	13	24	23 $\frac{1}{2}$	24	7 $\frac{1}{2}$	19	—	—	64 $\frac{3}{4}$	29	680	
E60108	108	2	54	42	14	32	31	32	7 $\frac{1}{2}$	27	—	—	57 $\frac{3}{4}$	48	1134	
E60162	162	3	54	52	14	32	31	32	7 $\frac{1}{2}$	27	—	—	67 $\frac{3}{4}$	63	1240	
<b>Centimetres</b>																
E30030	30	2	15	97.2	30.5	49.5	47.6	47.6	18.4	38.1	1.6	—	116.2	59	102	
E30045	45	3	15	122.9	30.5	49.5	47.6	47.6	18.4	38.1	1.6	—	167.6	77	110	
E40075	75	3	25	125.7	33.0	61.0	59.7	61.0	19.1	48.3	1.9	164.5	167.6	132	308	
E60108	108	2	54	106.7	35.6	81.3	78.7	81.3	18.4	68.6	1.9	146.7	119.4	218	514	
E60162	162	3	54	132.1	35.6	81.3	78.7	81.3	18.4	68.6	1.9	172.1	171.5	286	562	

**auto-klean® filtration limited**

Engineers in Filtration

Unit 11a, Ascot Industrial Estate,  
Lenton Street,  
Sandiacre,  
Notts. NG10 5DJ, U.K.

Tel. 0870 421 4206  
Fax. 0870 421 4207

www.auto-kleanfiltration.co.uk  
E-Mail: sales@hse-ltd.com