



TYPES FF30QME FF30Q

DESCRIPTION **auto-klean® flushflo®** FF30QME, FF30Q self-cleaning filters operate on the edge-filtration principle and are fitted with elements that are of all-metal wire-wound construction. They are cleaned without interrupting the flow of liquid by one complete turn of the element spindle, which causes the accumulated solids to be removed by a scraper and deposited into the filter sump. At the same time the filter outlet pressure is utilised to cause a reverse flow of clean liquid through the element to flush away the small solids trapped by the mesh out of reach of the scraper blade. The contaminated flushing liquid is ducted through the filter body to a discharge valve and is either led to waste or cleaned in a sediment collector incorporated in the filter and returned to the system. The sediment collector contains a small Auto-Klean plate type filter, which is cleaned by turning the handle periodically..

FF30QME filters are supplied either with fully automatic or continuous drive for both the main filter and sediment collector. FF30Q filters are for manual operation only. Both types normally include a sediment collector as a standard fitting, although this can be omitted if not required

APPLICATIONS Water circulating and cooling system, effluents, aqueous solutions, chemicals, solvents, light distillates, beverages and all industrial liquids. Auto-Klean Flushflo filters are particularly recommended for service with liquids containing a high proportion of abrasive solids.

| | | |
|-----------------|----------|---|
| ELEMENTS | Diameter | 152mm (6") |
| | Length | 254mm (10") nett |
| | Mesh | .076mm (.003") .127mm (.005") .203mm (.008") .254mm (.010") .381mm (.015") |

CONNECTIONS 76.2mm (3") B.S.Table E.

| | | |
|-----------------|-----------------|---|
| PRESSURE | Maximum Working | 3.52 Kg/cm ² (50lb/in ²) |
| | Test | 7.0 Kg/cm ² (100lb/in ²) |

| | | | |
|------------------|----------|-----------------------------------|--|
| MATERIALS | Standard | Body & Cover Internals Wire | Mild Steel Brass & Steel Stainless Steel or Monel Metal |
| | Special | Body & Cover Internals | Stainless Steel Brass and Stainless Steel, Brass or Mild Steel |

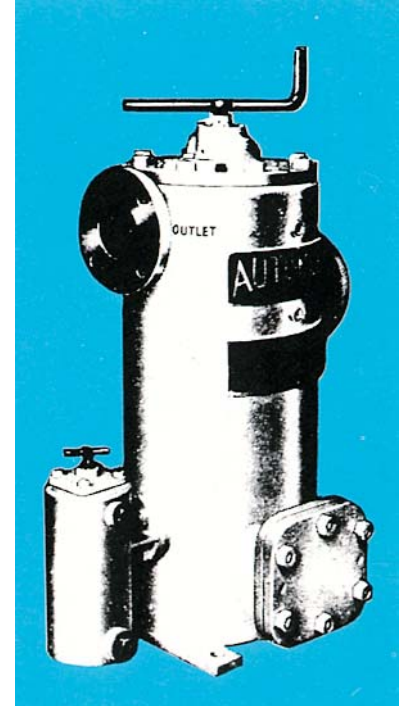
SUMP CAPACITY 9 litres (2 gallons).

| | | | | |
|---------------|---------|---------------|-------|---------------|
| WEIGHT | FF30QME | 152Kg (336lb) | FF30Q | 122Kg (270lb) |
|---------------|---------|---------------|-------|---------------|

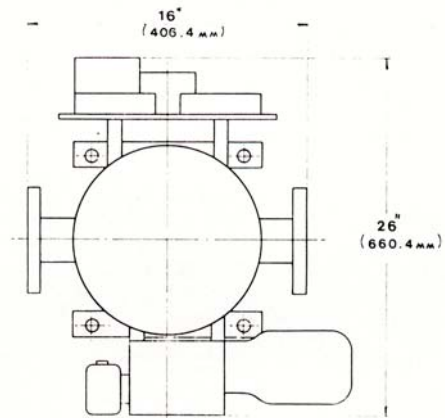
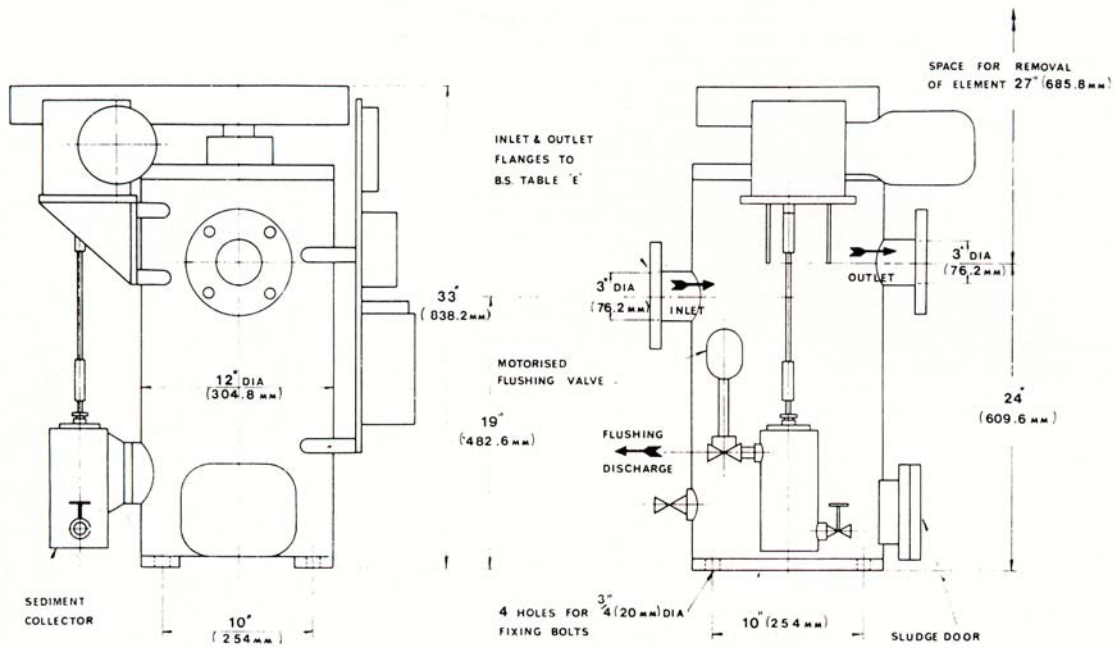
DIMENSIONS See drawing and table on page 2

FLOW RATES Auto-Klean Flushflo filters must operate with outlet pressure not less than 0.7 Kg/cm² (10 lb/in²). The flow-rates listed below cover only a limited range of applications. Capacities for other liquids and meshes will be quoted on request.

Maximum flow-rate per element under any conditions: **57 metres³ (12,500 gallons) per hour.**



| Service | Auto-Klean Mesh | | Equivalent Gauze Mesh | Capacity | | | |
|------------------------|-----------------|------|-----------------------|--------------------------------|-----|------------------------------|-------|
| | mm | in | | Gallons Per Hour | | Metres ³ Per Hour | |
| Water and Soluble Oils | .076 | .003 | 150 x 150 | 9000 | | 41.0 | |
| | .127 | .005 | 100 x 100 | 9500 | | 43.2 | |
| | .203 | .008 | 80 x 80 | 10000 | | 45.5 | |
| Lubricating Oils | .076 | .003 | 150 x 150 | 6300 3200 | | 28.6 14.5 | |
| | .127 | .005 | 100 x 100 | 6800 4200 | | 30.9 19.1 | |
| | .203 | .008 | 80 x 80 | 7000 4900 | | 31.8 22.3 | |
| | | | | Viscosity Seconds Redwood No.1 | | Viscosity Degrees Engler | |
| | | | | 100 | 500 | 3.3° | 16.5° |



auto-klean® filtration limited

Engineers in Filtration

Unit 11a, Ascot Industrial Estate,
 Lenton Street,
 Sandiacre,
 Notts. NG10 5DJ, U.K.

Tel. 0870 421 4206
 Fax. 0870 421 4207

www.auto-kleanfiltration.co.uk
 E-Mail: sales@hse-ltd.com

Auto-Klean is a registered Trade Mark